



Mini
NOTHING MORE. NOTHING LESS.

 **Comelit**[®]
Passion. Technology. Design.

Mini



Colour Mini. Reality framed by pure design.

This version adds colour to the practical functions of the basic model with a 16/9 colour screen. Practical and efficient, it offers brightness, contrast and ringtone volume adjustment, in addition to melody customisation. It has 4 touch-sensitive buttons for controlling the lock-release, self-ignition, auxiliary command (switchboard call) and privacy functions; it also manages floor door calls. 4 additional buttons can be added using art. 6733W



Simple lines. Ultra-thin.
16/9 screen. Four versions.
MINI: nothing more. Nothing less.





Black and white Mini. Simple and versatile.

Mini features a simple design without compromising on versatility. The white entry-level version is equipped with a 16/9 black and white screen offering brightness, contrast and ringtone volume adjustment, in addition to melody customisation. It has 4 touch-sensitive buttons for controlling the lock-release, self-ignition, auxiliary command (switchboard call) and privacy functions; it also manages floor door calls. 4 additional buttons can be added using art. 6733W.

Mini





Mini Deluxe.
“Full option” efficiency.
And a stylish soft-touch finish.

The elegance of black meets the convenience of the “full option” selection, to achieve the highest aesthetic standards. In addition to the Mini functions, this original version offers a handset with soft-touch finish and 8 buttons as standard. These buttons are used to manage the following: lock-release, self-ignition, auxiliary command (switchboard call), privacy option and a further four system functions. Includes door status indicator LED. Manages floor door calls as standard.



STYLISH
SOFT-TOUCH
FINISH

Mini

WALL MOUNTING USING THE
BACKPLATE SUPPLIED

CONTRAST AND BRIGHTNESS
ADJUSTMENT

RINGTONE VOLUME
CONTROL

4.3" 16:9 BLACK/WHITE AND
COLOUR DISPLAY

AUDIBLE FEEDBACK FOR
EVERY KEY

PRIVACY (LED)

AUXILIARY COMMAND
(SWITCHBOARD CALL)

POWER

LOCK-RELEASE: BACKLIT
BUTTON (LED)



C → 1 2 3 4 5 6 

WITH THE ADDITIONAL BUTTONS KIT,
MINI MONITORS BECOME
"FULL OPTION"

3 4
5 6

ADDITIONAL BUTTONS KIT
Art. 6733W



System

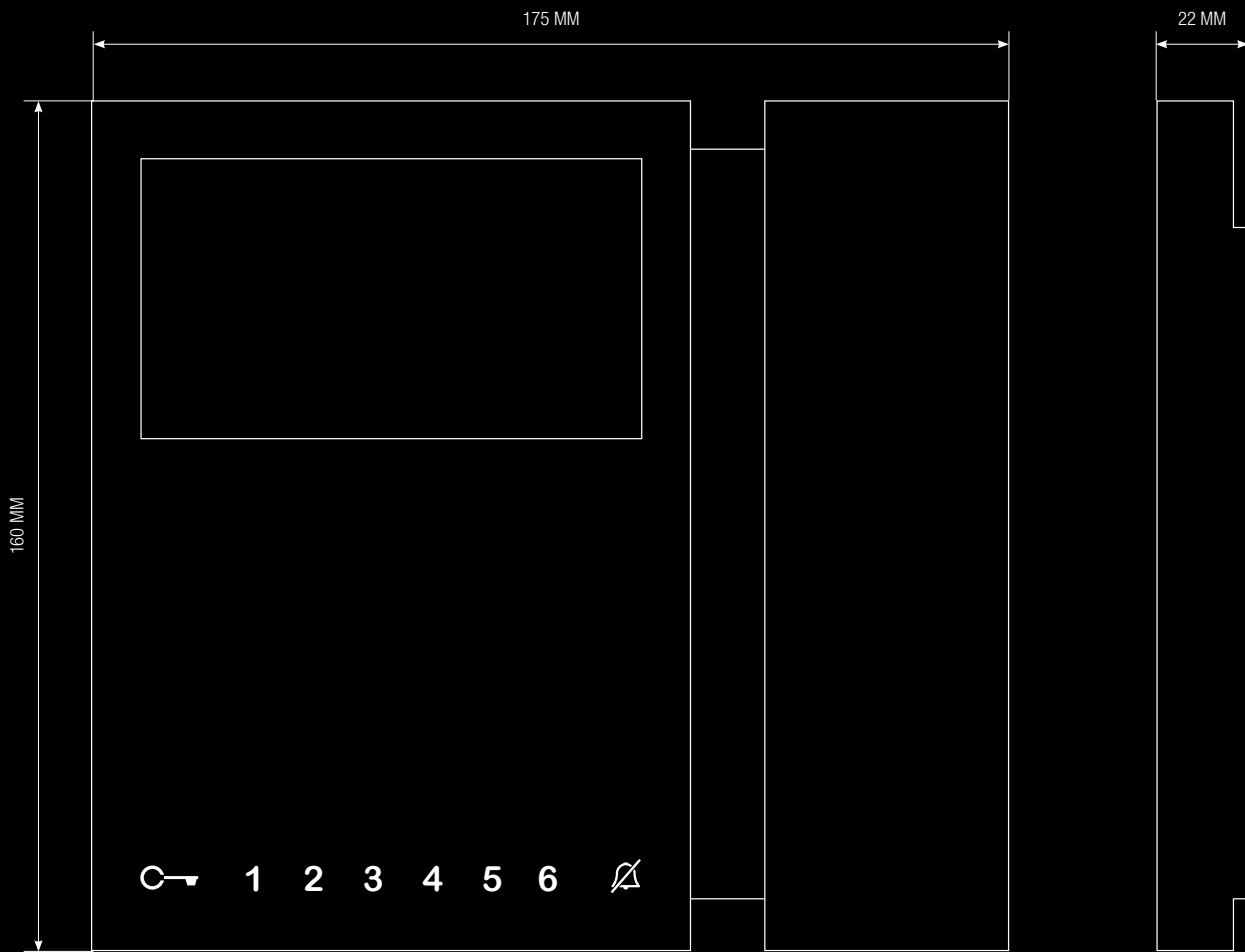


SIMPLEBUS TOP SYSTEM

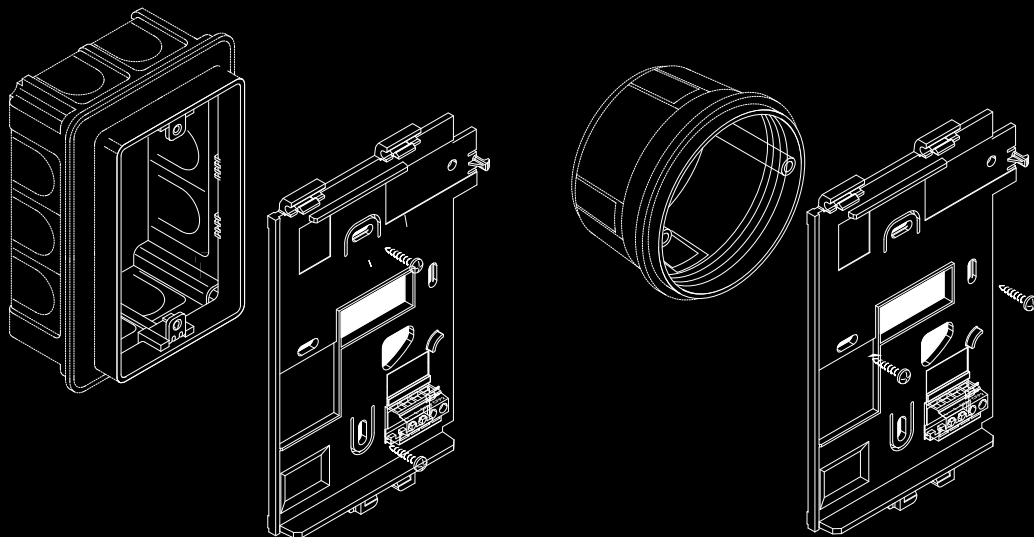
A revolutionary invention from Comelit, this is the two-wire digital door-entry phone and door entry monitor system that connects the external unit to internal units up to 1,200 metres away via the same riser line, creating a communication network that can accommodate up to 16 monitors in parallel with the same address. These monitors are capable of operating independently and entering into dialogue with one another. The ideal solution for small houses, standalone apartment blocks and residential complexes up to 120,000 users.




Mini



MONITOR BACKPLATE SUITABLE FOR INSTALLATION IN THREE-MODULE BOX 503 AND ROUND BOX



	<p>6700W</p>	<p>B/W MINI MONITOR WITH HANDSET. WHITE. SBTOP SYSTEM Wall-mounted monitor with 4.3" 16/9 black and white screen and handset. Allows brightness and colour control, plus adjustment of the ringtone volume, which can be customised by choosing one of several different melodies. Equipped with 4 soft-touch buttons for lock-release, self-ignition, switchboard call and privacy function management as standard, and with door status indicator LED. Manages floor door calls as standard. Option of adding 4 additional buttons with accessory Art. 6733W. Complete with 2 x 8-position DIP-SWITCHES for user code programming and button programming. The wall-mounting or residential series box backplate and riser distribution terminal Art. 1214/2C are included. The monitor can only be used in 2-wire SimplebusTop Colour systems. Dimensions 175x160x22 mm.</p>
	<p>6701W</p>	<p>MINI MONITOR WITH HANDSET, WHITE. SBTOP SYSTEM Wall-mounted monitor with 4.3" 16/9 colour screen and handset. Allows brightness and colour control, plus adjustment of the ringtone volume, which can be customised by choosing one of several different melodies. Equipped with 4 soft-touch buttons for lock-release, self-ignition, switchboard call and privacy function management as standard, and with door status indicator LED. Manages floor door calls as standard. Option of adding 4 additional buttons with accessory Art. 6733W. Complete with 2 x 8-position DIP-SWITCHES for user code programming and button programming. The wall-mounting or residential series box backplate and riser distribution terminal Art. 1214/2C are included. The monitor can only be used in 2-wire SimplebusTop Colour systems. Dimensions 175x160x22 mm.</p>
	<p>6701B</p>	<p>MINI MONITOR WITH HANDSET. BLACK. SBTOP SYSTEM Wall-mounted monitor with 4.3" 16/9 colour screen and handset. Allows brightness and colour control, plus adjustment of the ringtone volume, which can be customised by choosing one of several different melodies. Equipped with 8 soft-touch buttons for lock-release, self-ignition, switchboard call and privacy function management plus another four system functions as standard, and with door status indicator LED. Manages floor door calls as standard. Complete with 2 x 8-position DIP-SWITCHES for user code programming and button programming. The wall-mounting or residential series box backplate and riser distribution terminal Art. 1214/2C are included. The monitor can only be used in 2-wire SimplebusTop Colour systems. Dimensions 175x160x22 mm.</p>
	<p>6711W</p>	<p>ADAPTER PLATE. WHITE Finishing accessory for mounting the MINI monitor when replacing Magis or Genius door entry monitors. Colour: white. Dimensions: 300x260x4 mm.</p>
	<p>6733W</p>	<p>ADDITIONAL BUTTONS KIT FOR MINI MONITOR, WHITE Accessory for transforming MINI monitors Art 6700W-/BM and 6701W-/BM into versions with 8 buttons. Includes an 8-button faceplate and an electronic module for activating the buttons, which can be installed quickly without opening up the monitor.</p>

cod. 2632000369
8 1023903 1289329

www.comelitgroup.com

